

SDR – Part 7

Photos and Schematics

I published a construction article in the July 2022 publication of Practical Wireless Magazine.

Electronic viewing of the magazine, as part of a subscription, is here:
<https://pocketmags.com/eu/practical-wireless-magazine>

As necessitated by space constraints the photos and schematics in the article might be a little small to be of any use for some readers.

So here are each of the photographs, tables and schematics in high resolution.

Samuel

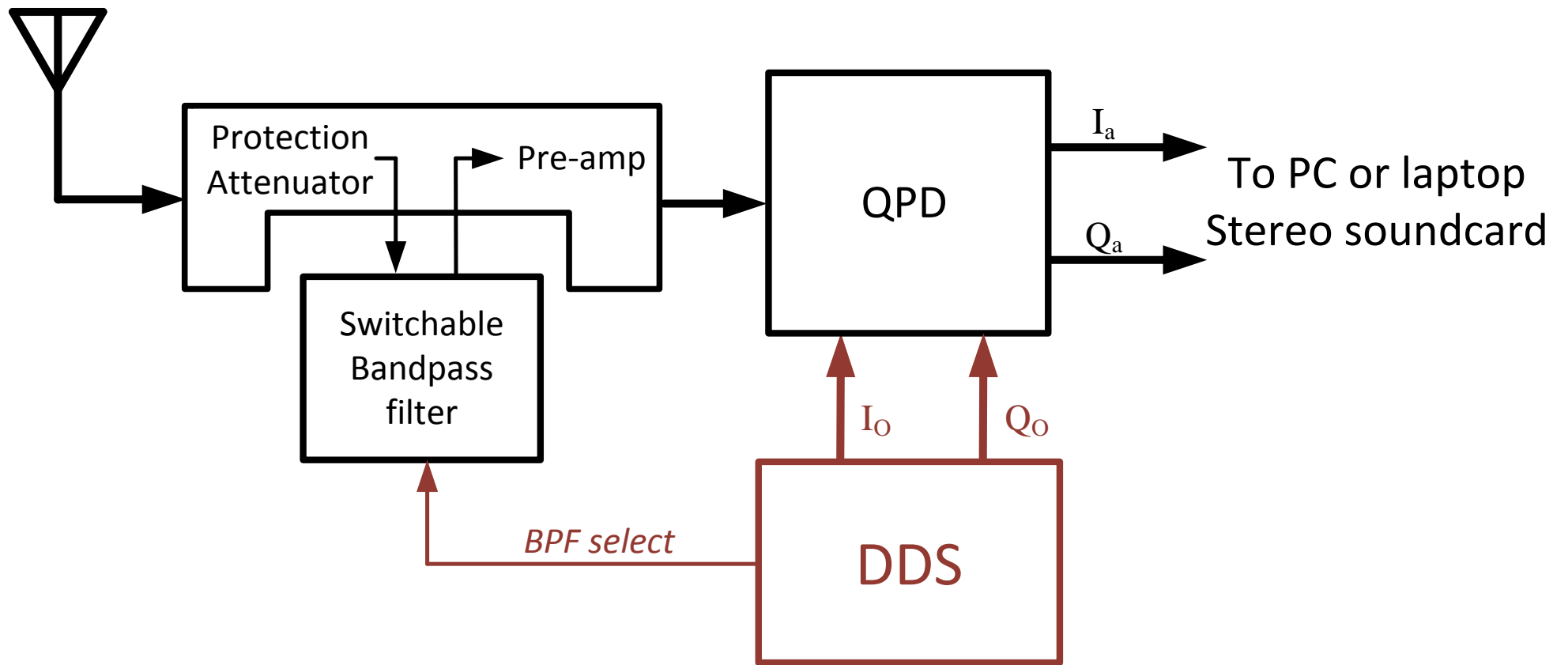


Figure 1. Basic block diagram

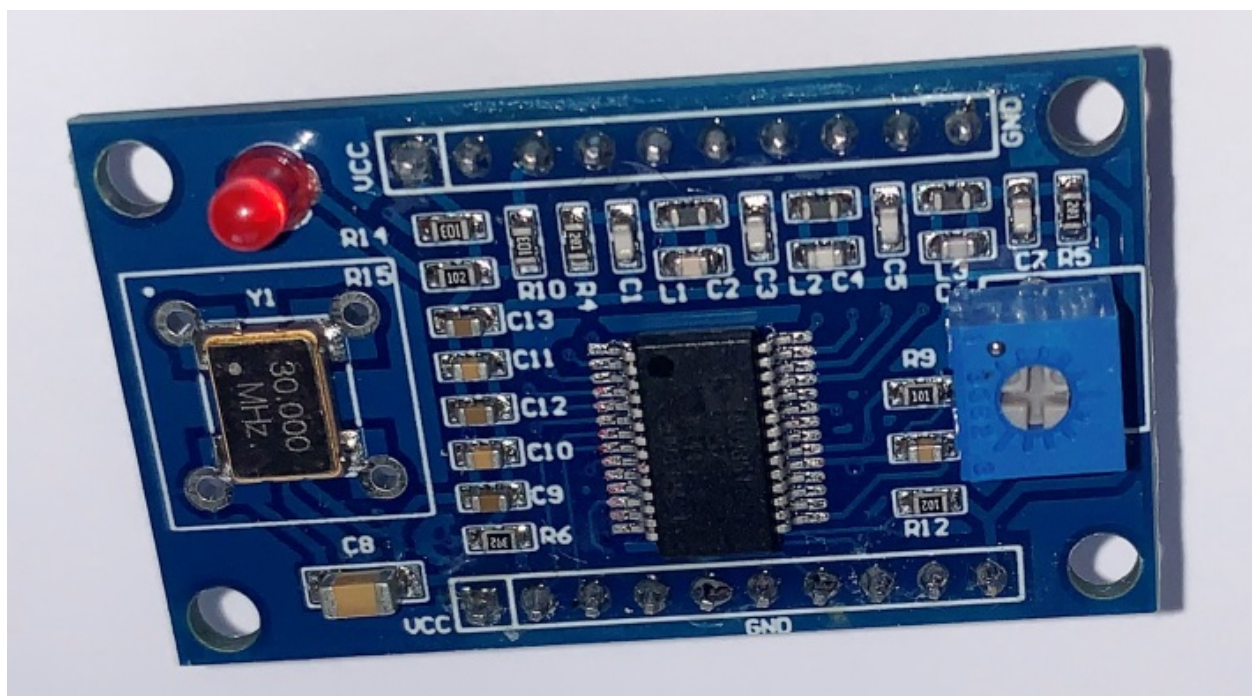


Figure 2. AD9851 Module as delivered

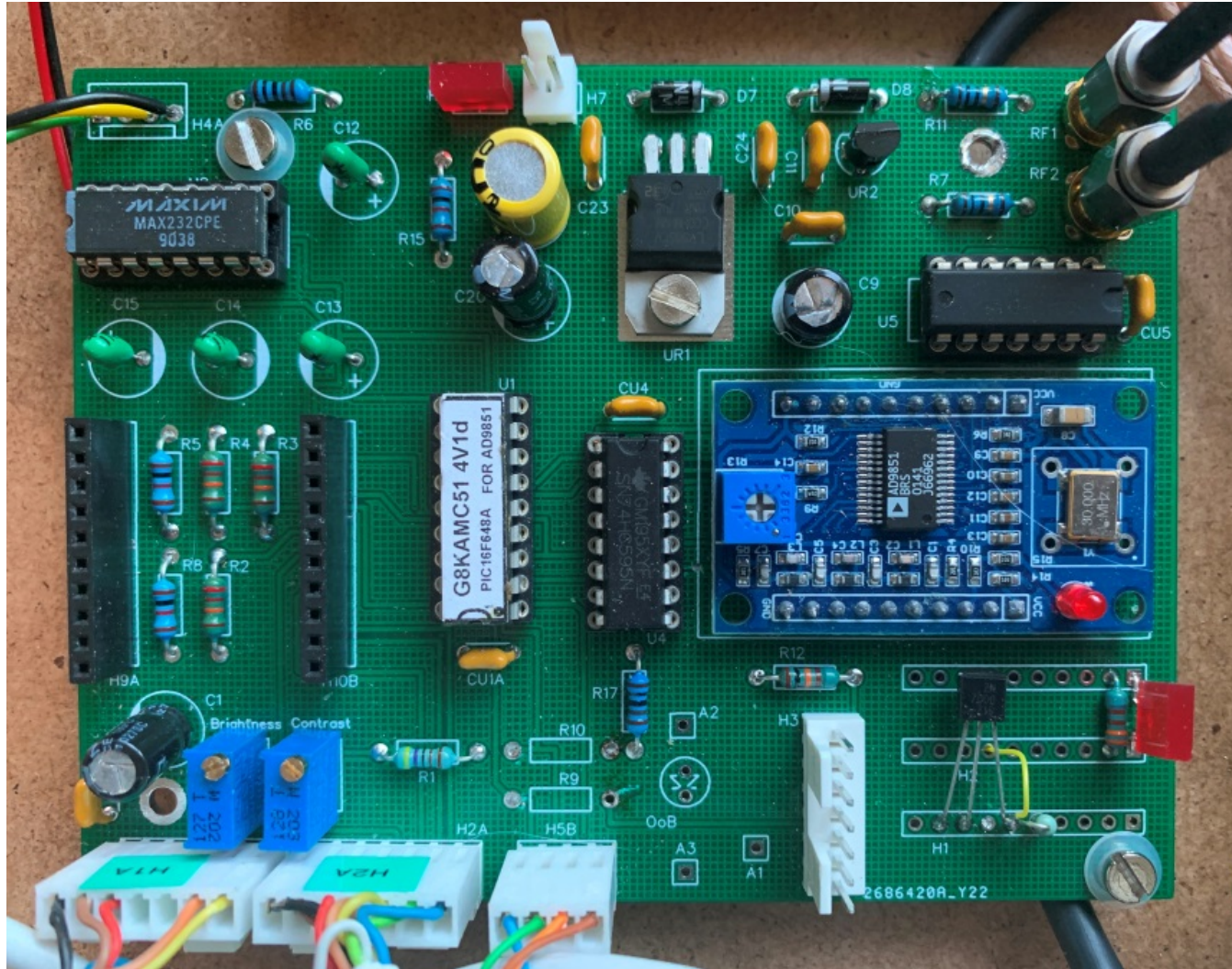


Figure 3. Populated microcontroller PCB

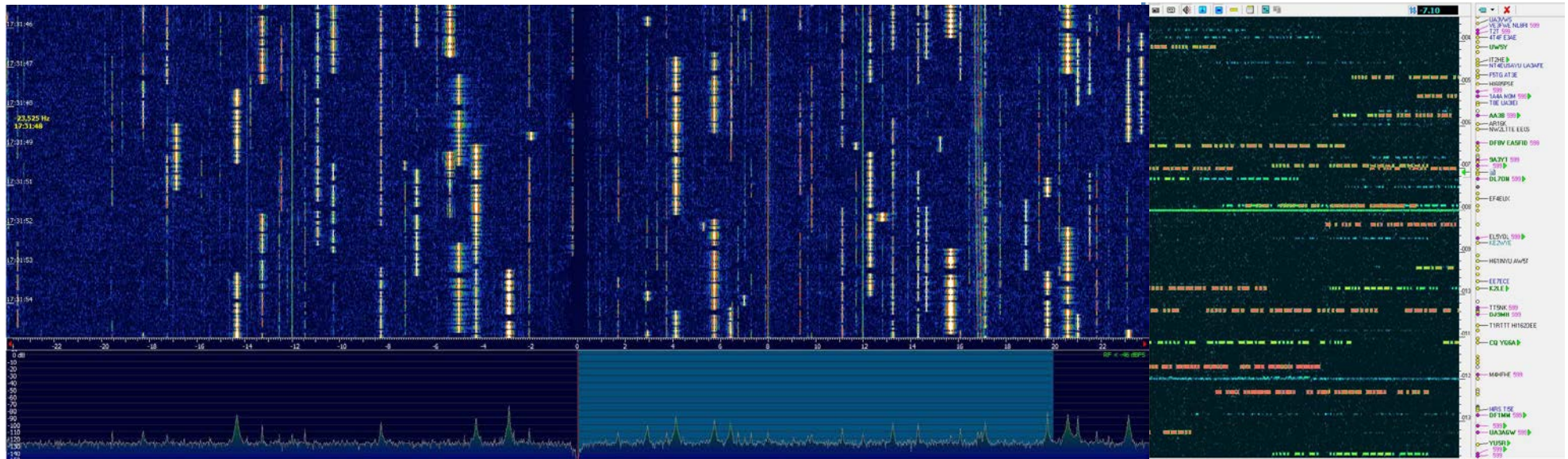


Figure 4. In use during the 2021 WAE DX competition on 14 MHz.

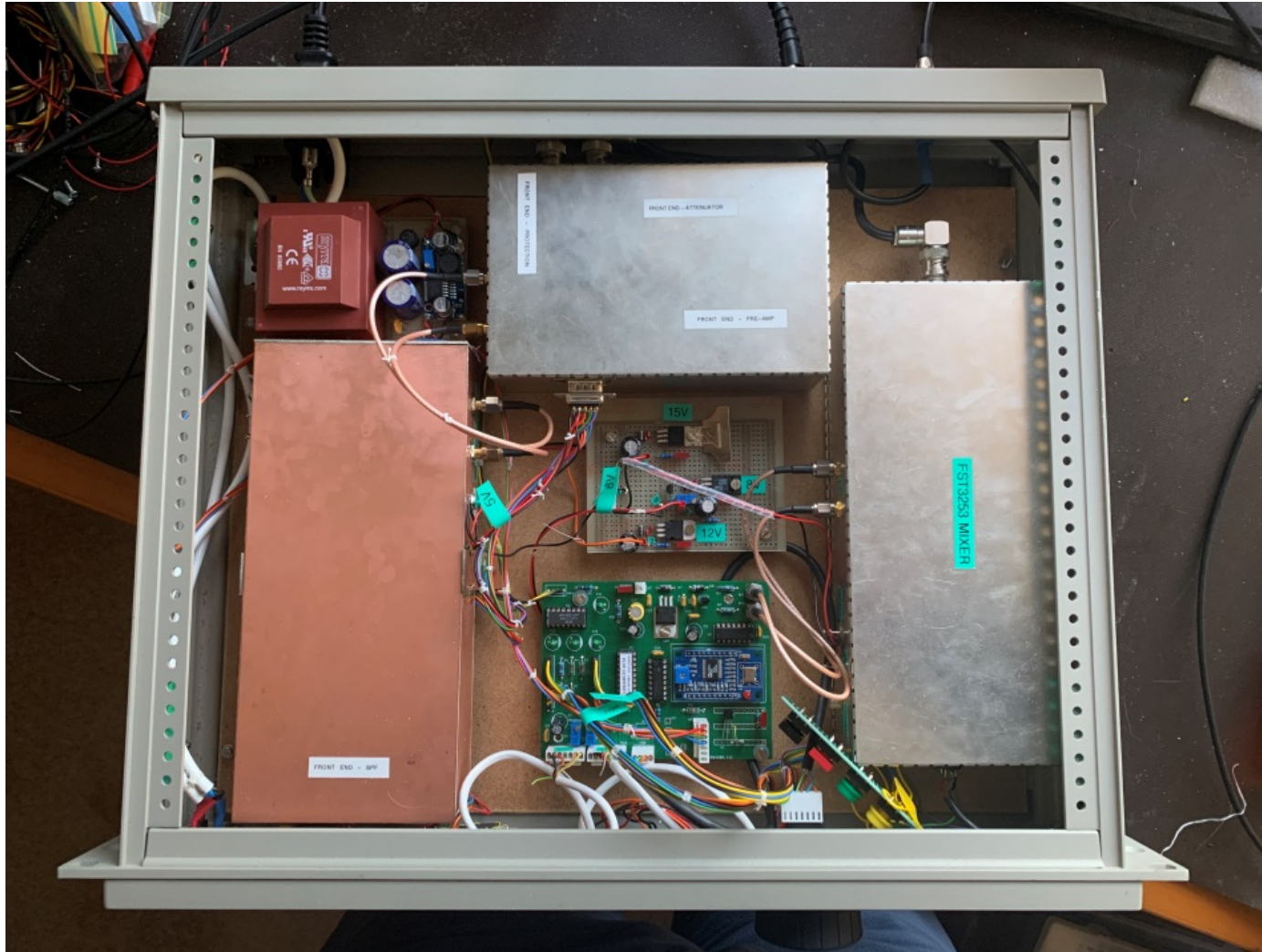


Figure 5. Top view into the enclosure

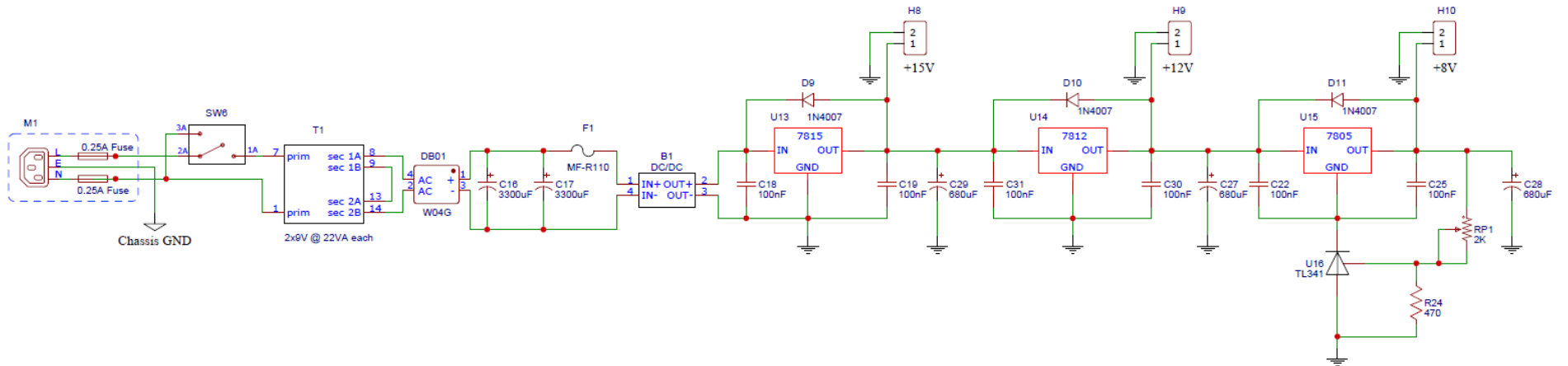


Figure 6. Power Supply Schematic

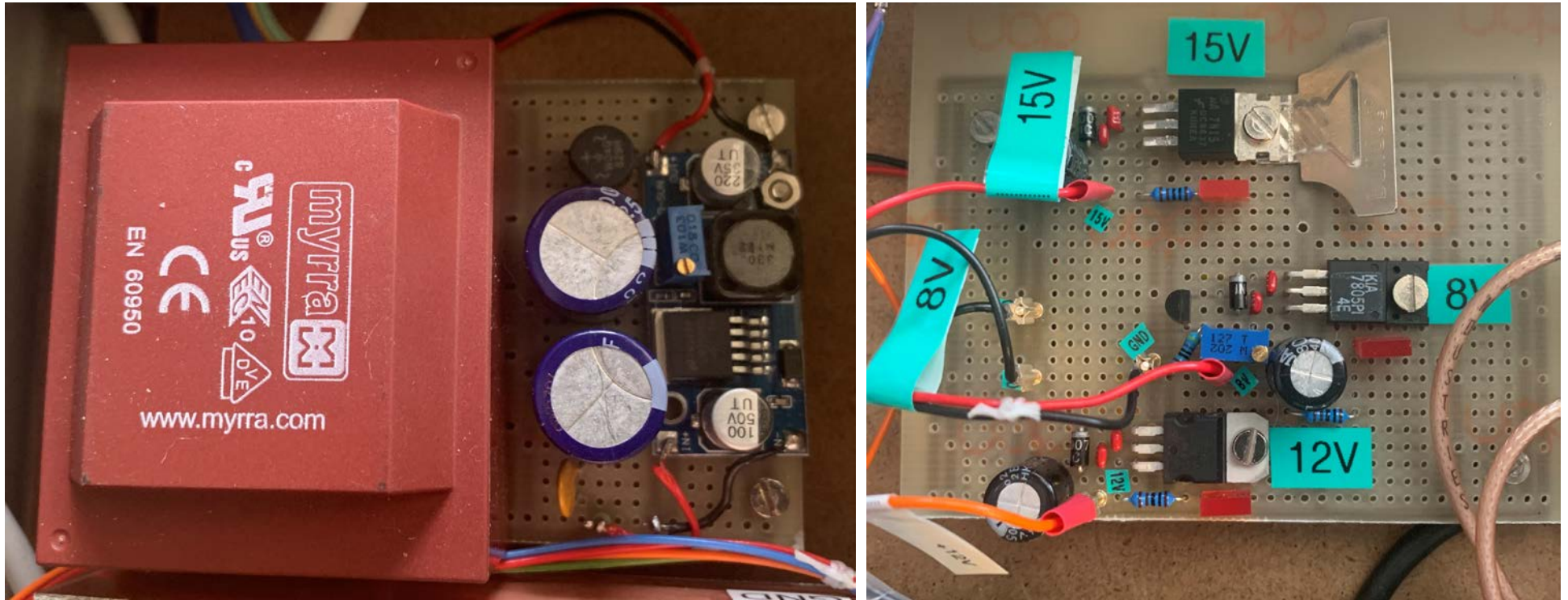


Figure 7. Power Supply Boards

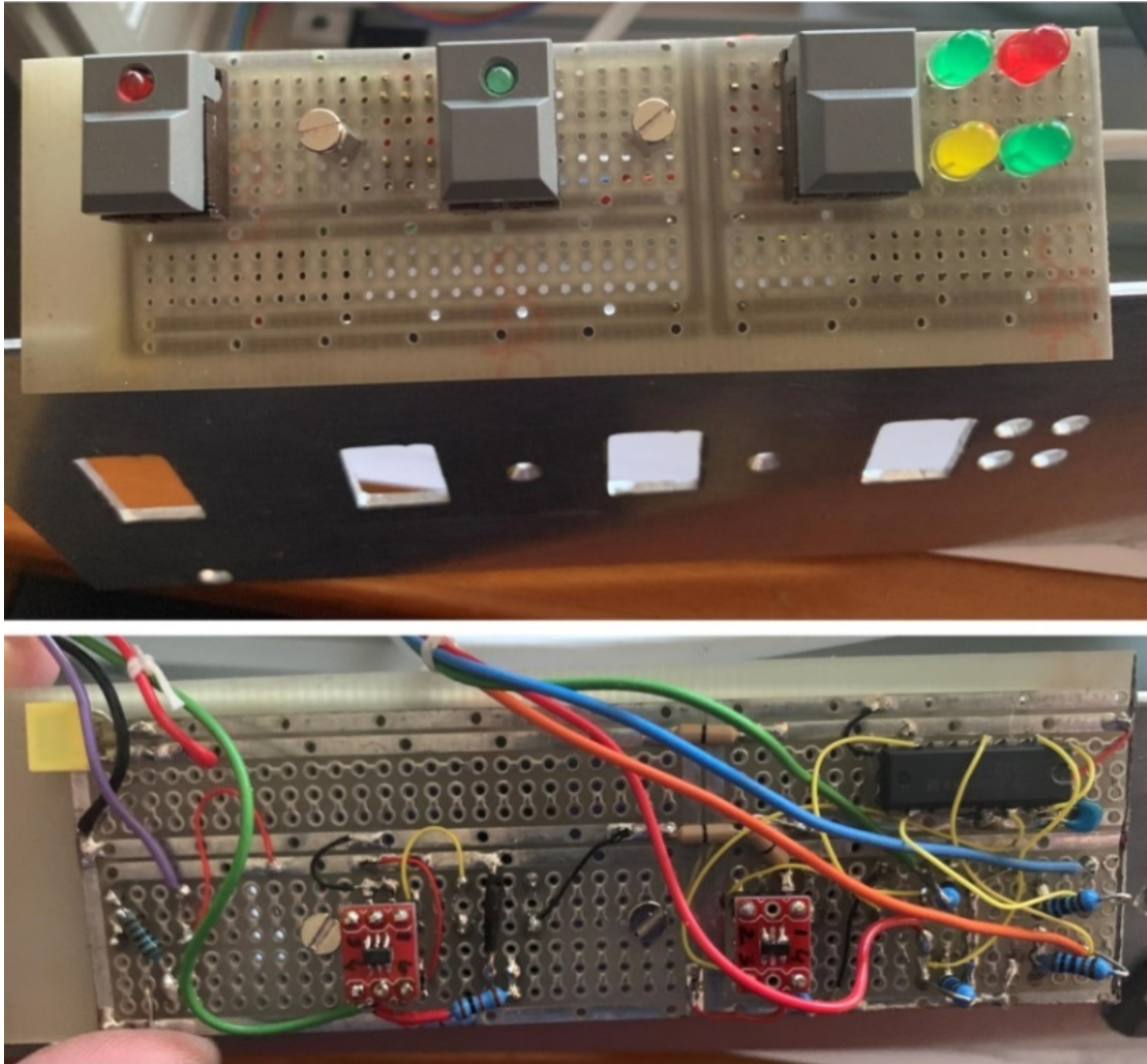


Figure 8. Example of the front panel switches

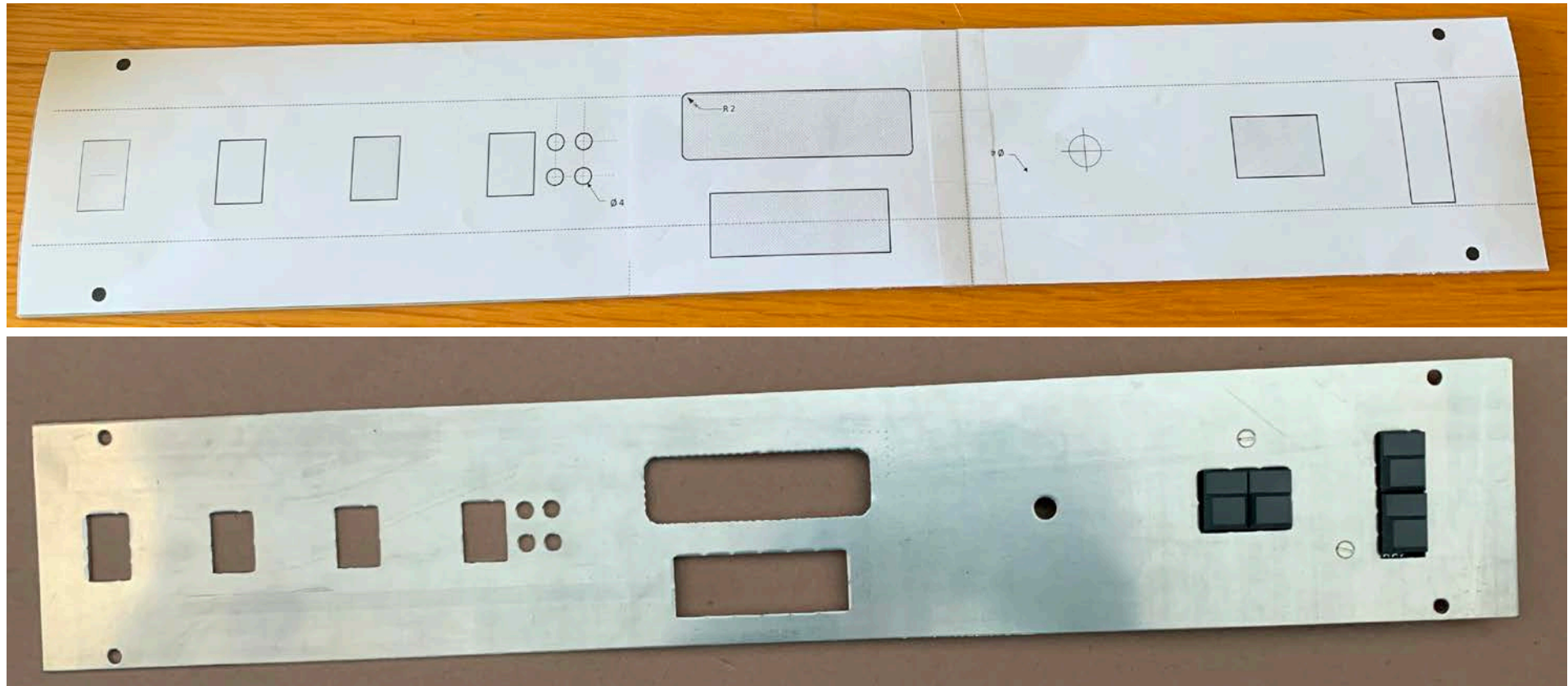


Figure 9. Design and build of the front panel

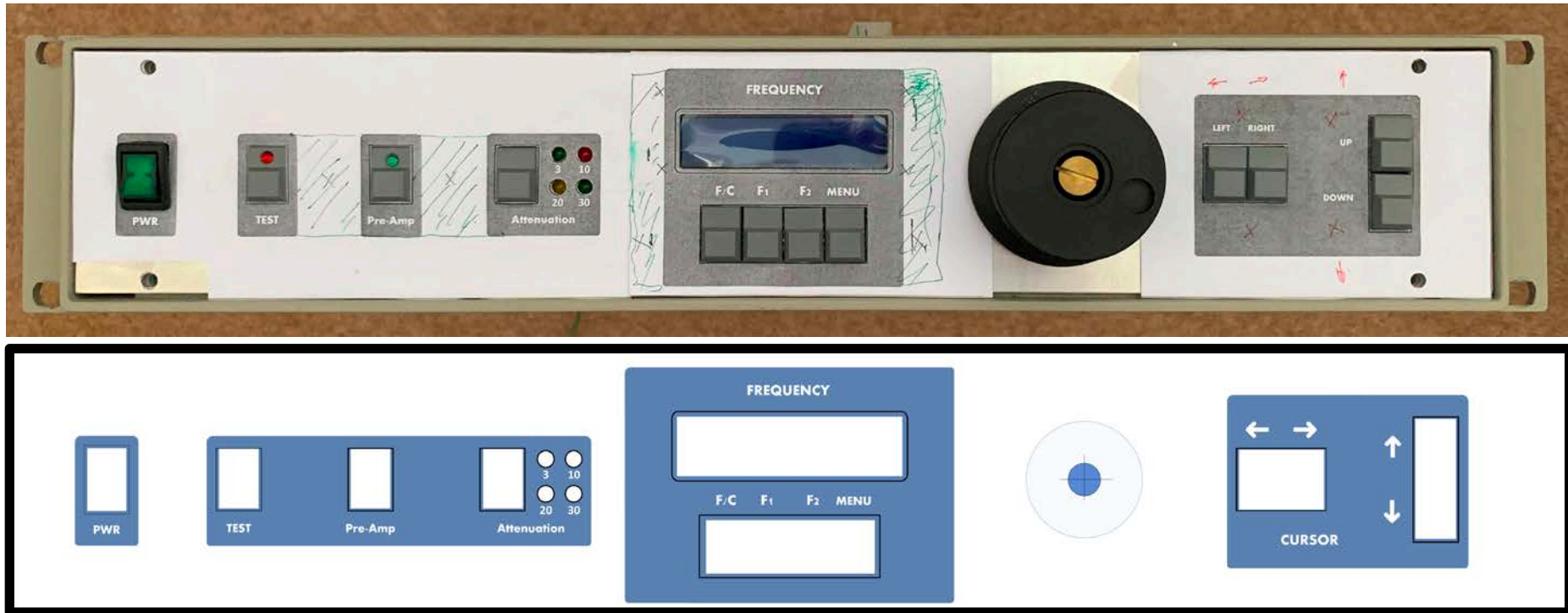


Figure 10. The decal

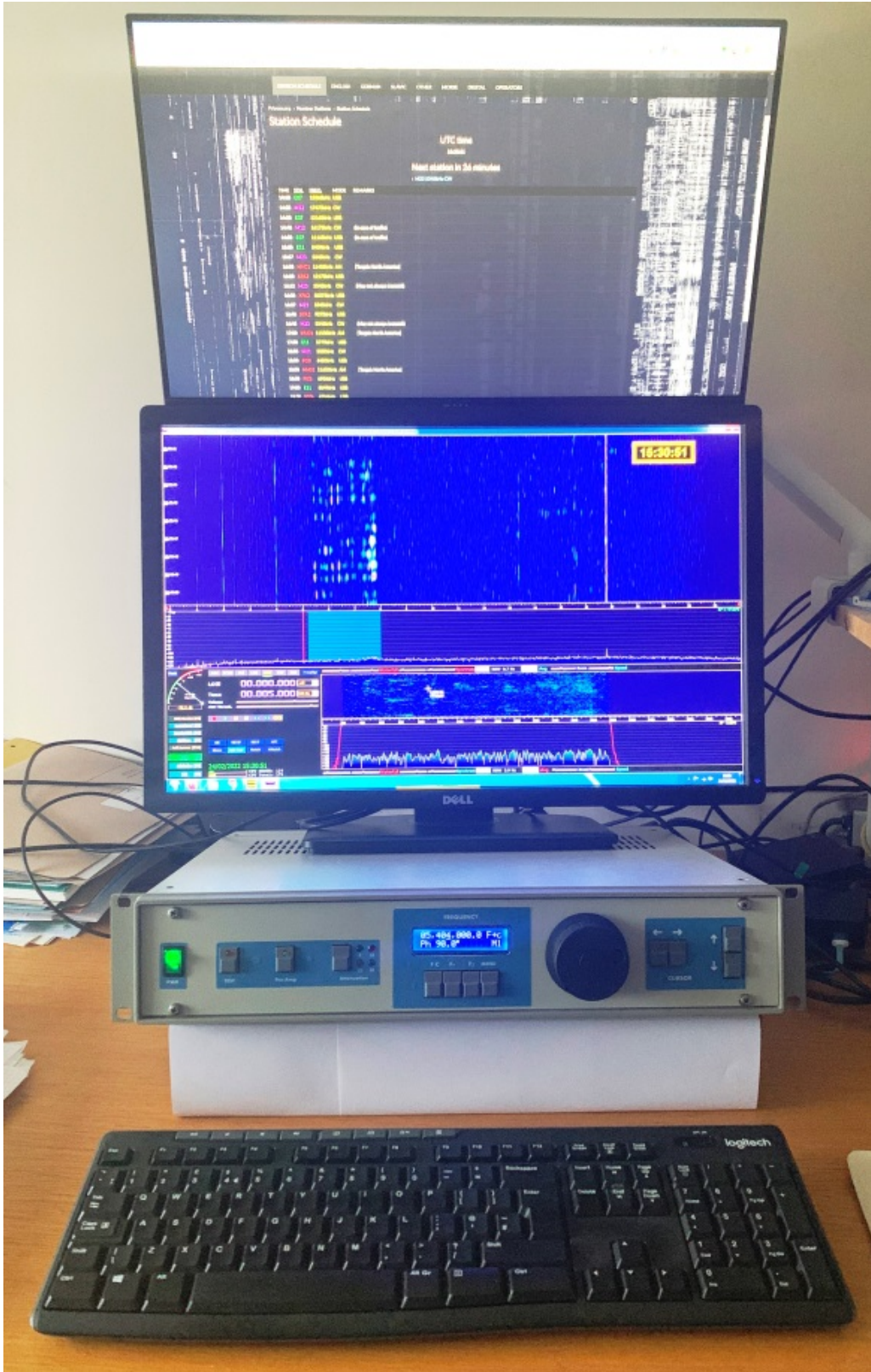


Figure 11. In action listening into numbers stations.