

## **Using fixed power supplies – Part 3 – Variable PSU**

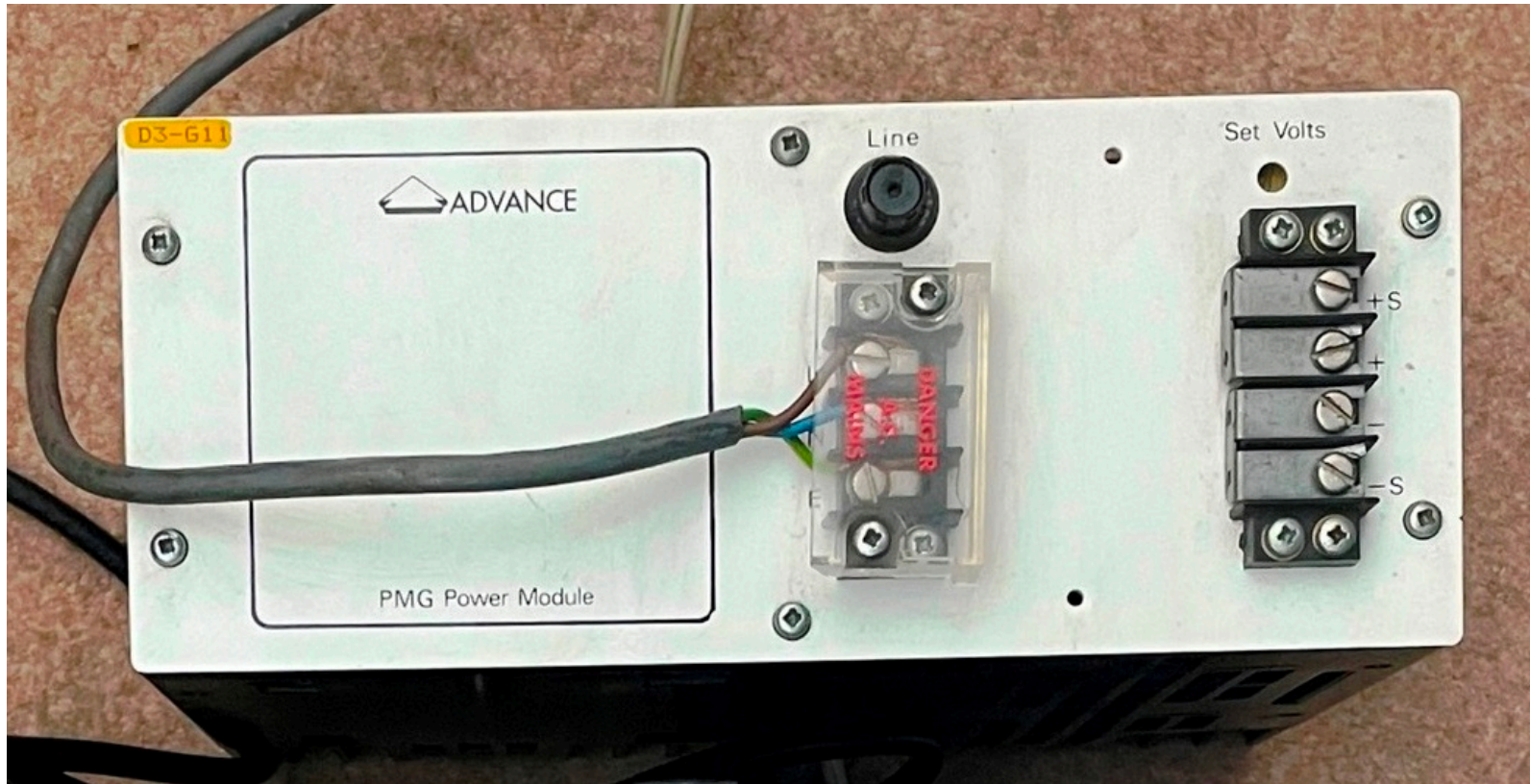
I published an article in the May 2024 publication of Practical Wireless Magazine.

Electronic viewing of the magazine, as part of a subscription, is here:  
<https://pocketmags.com/eu/practical-wireless-magazine>

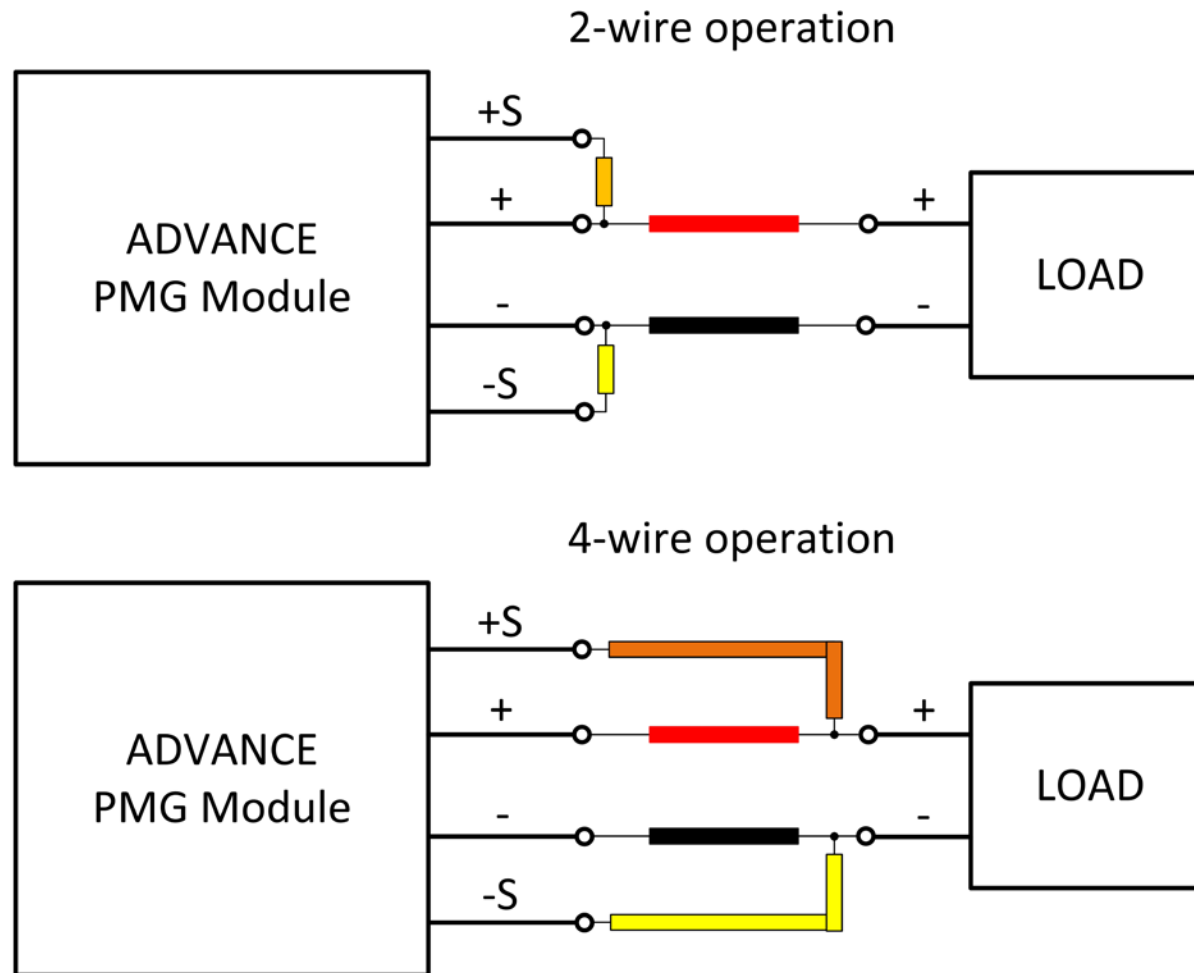
As necessitated by space constraints the photos in the article might be a little small to be of any use for some readers.

So here are each of the graphics and photographs in high resolution.

Samuel



**Figure 1. Advance PMG-24-3 power supply**



**Figure 2. 2-wire and 4-wire operation**

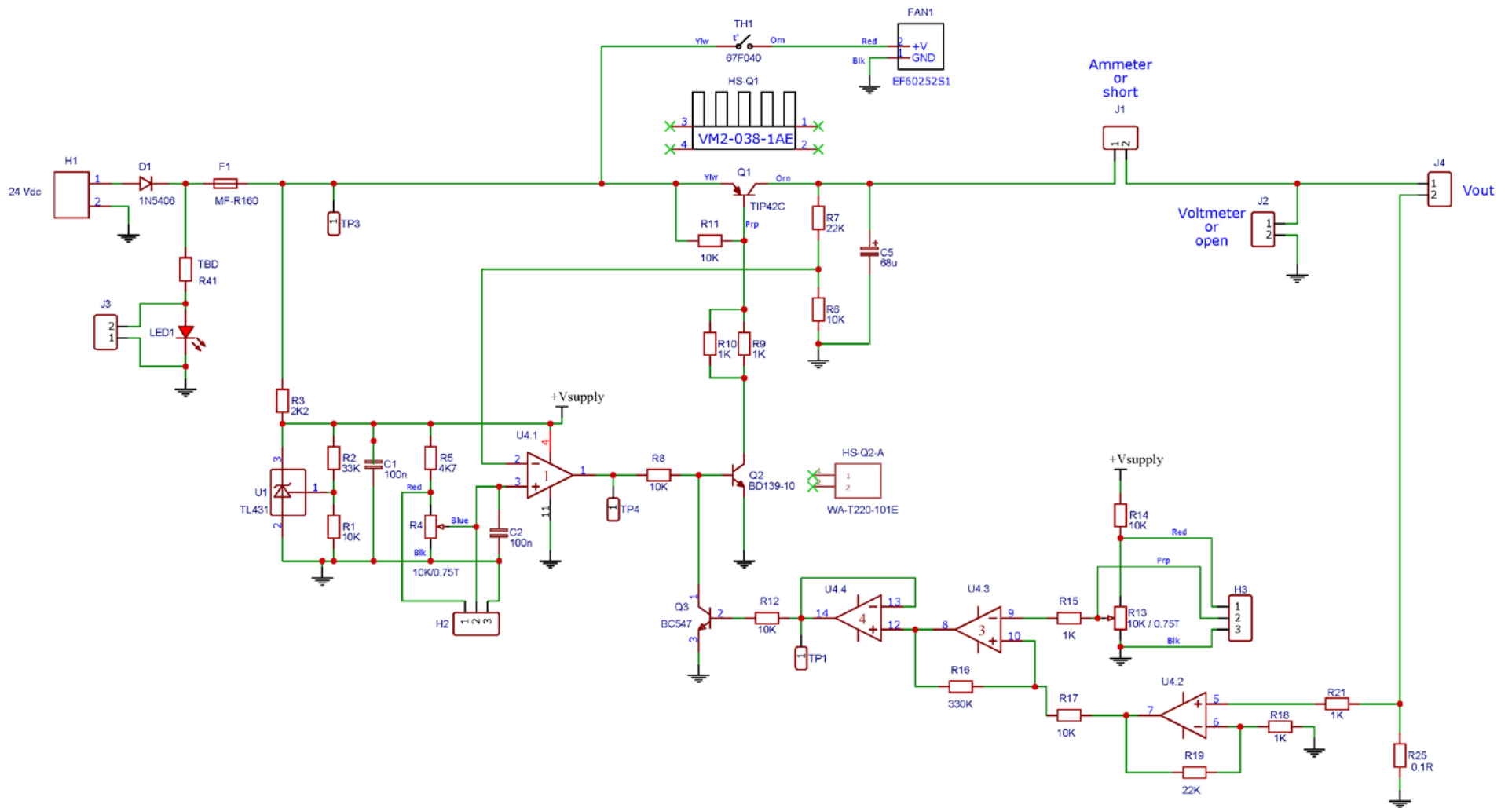
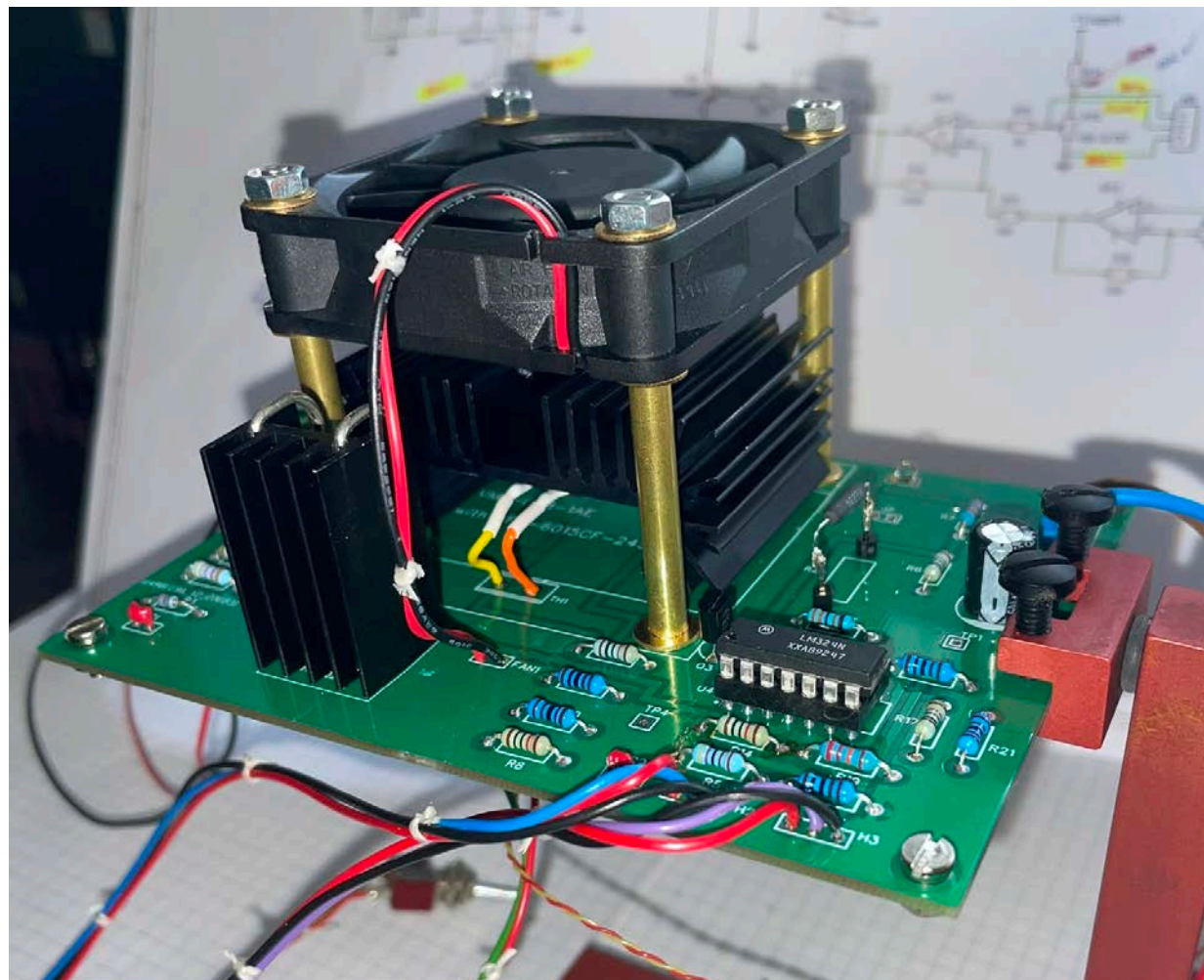
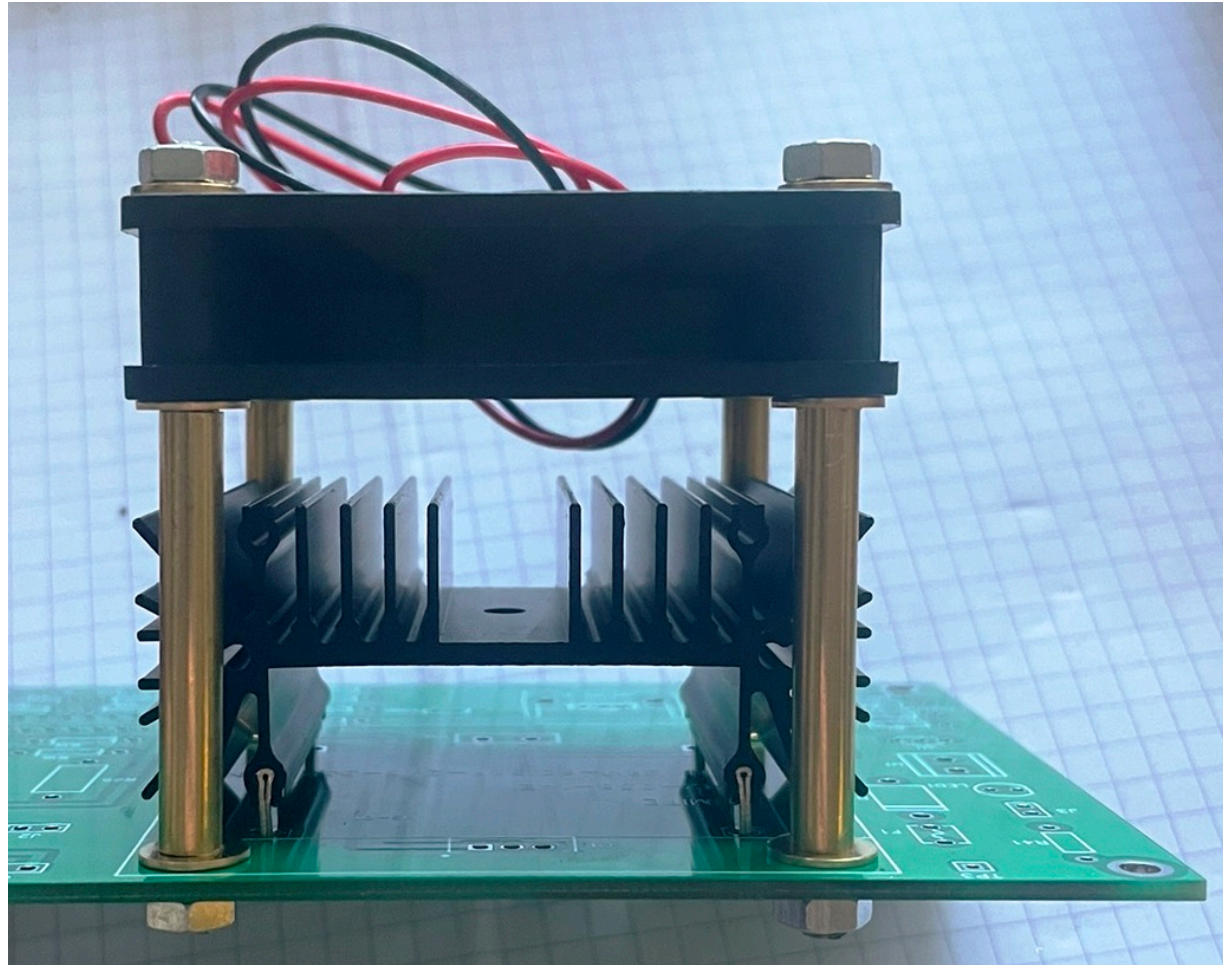


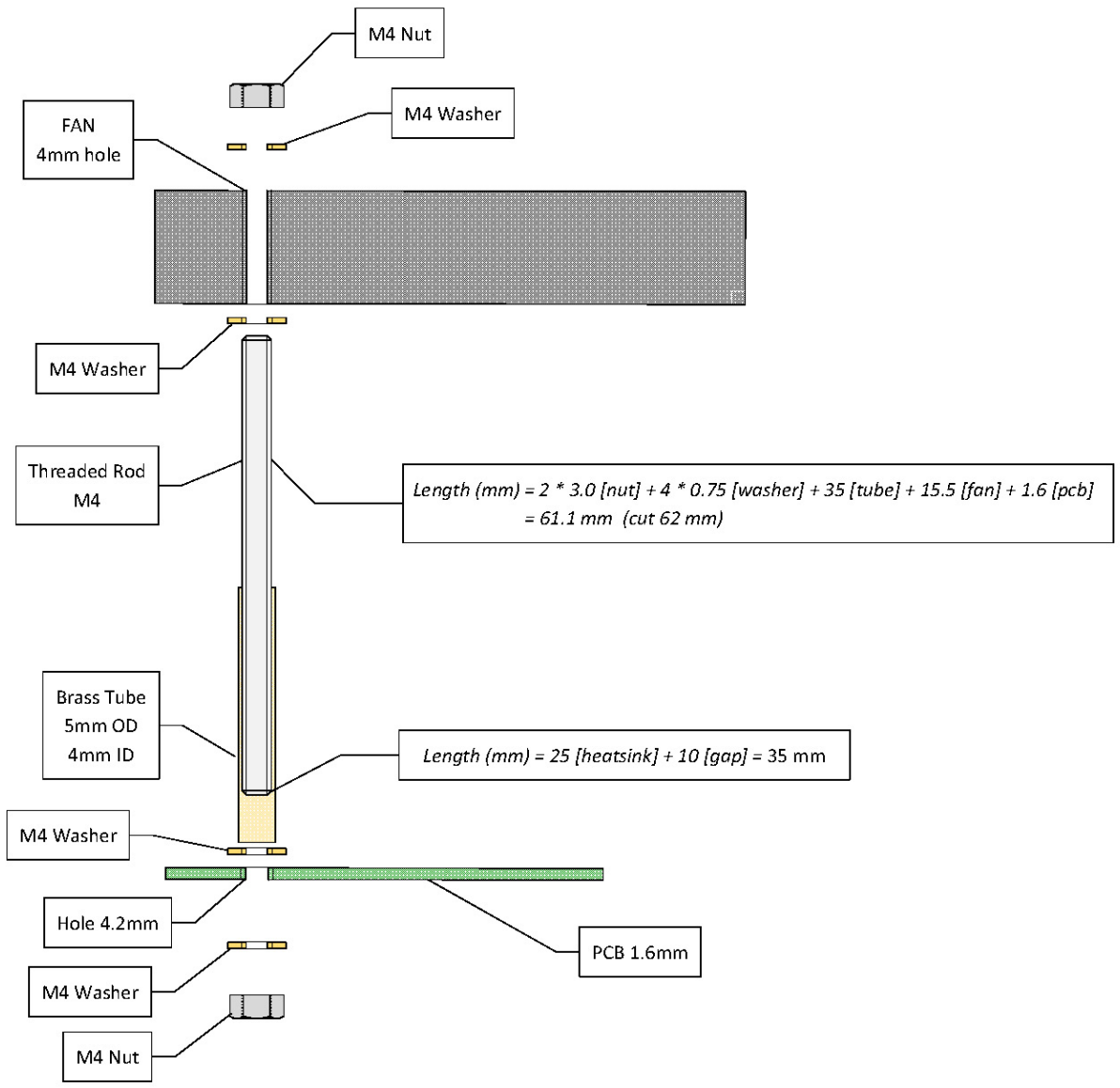
Figure 3. Circuit diagram of variable power supply add on.



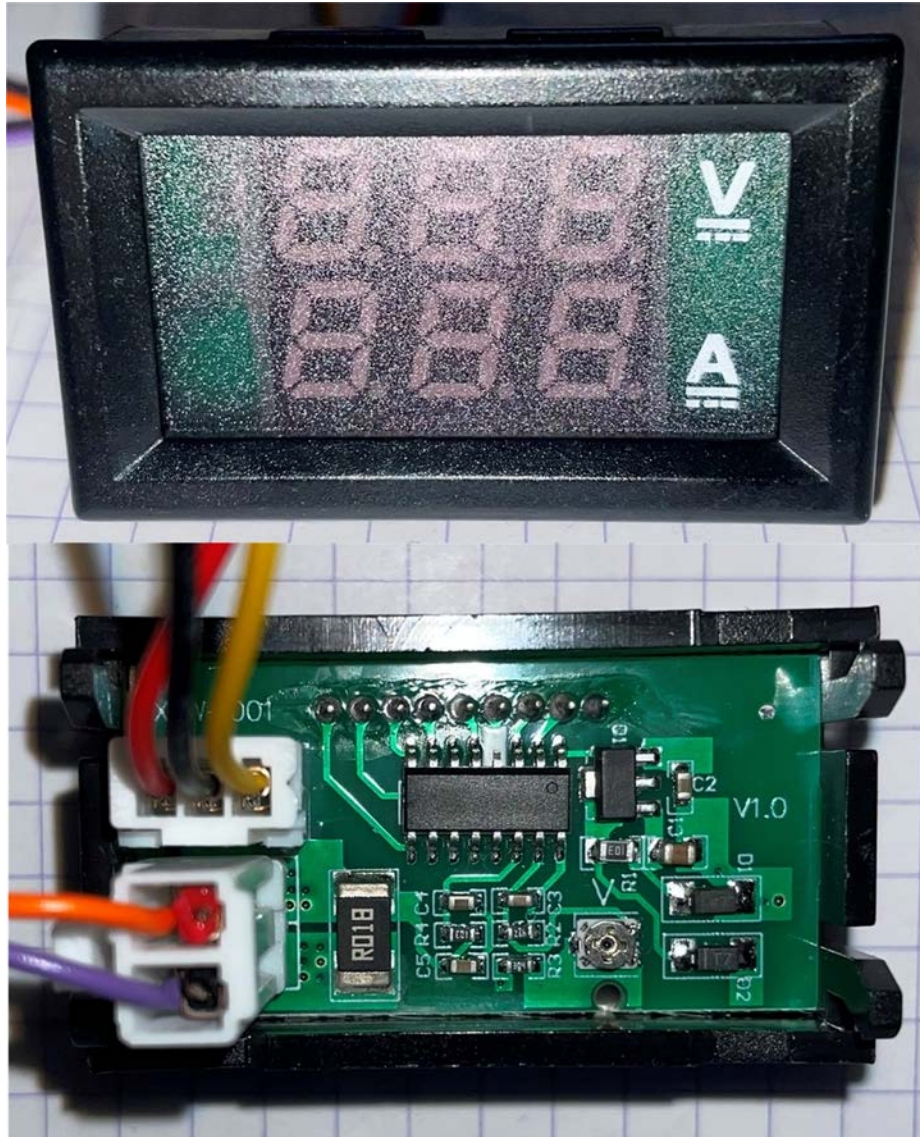
**Figure 4. Assembled PCB with heatsink fan.**



**Figure 5. Assembly of the fan above the heatsink**



**Figure 6. Details of the four pillars.**



**Figure 7. Front and back view of dual voltmeter and ammeter.**

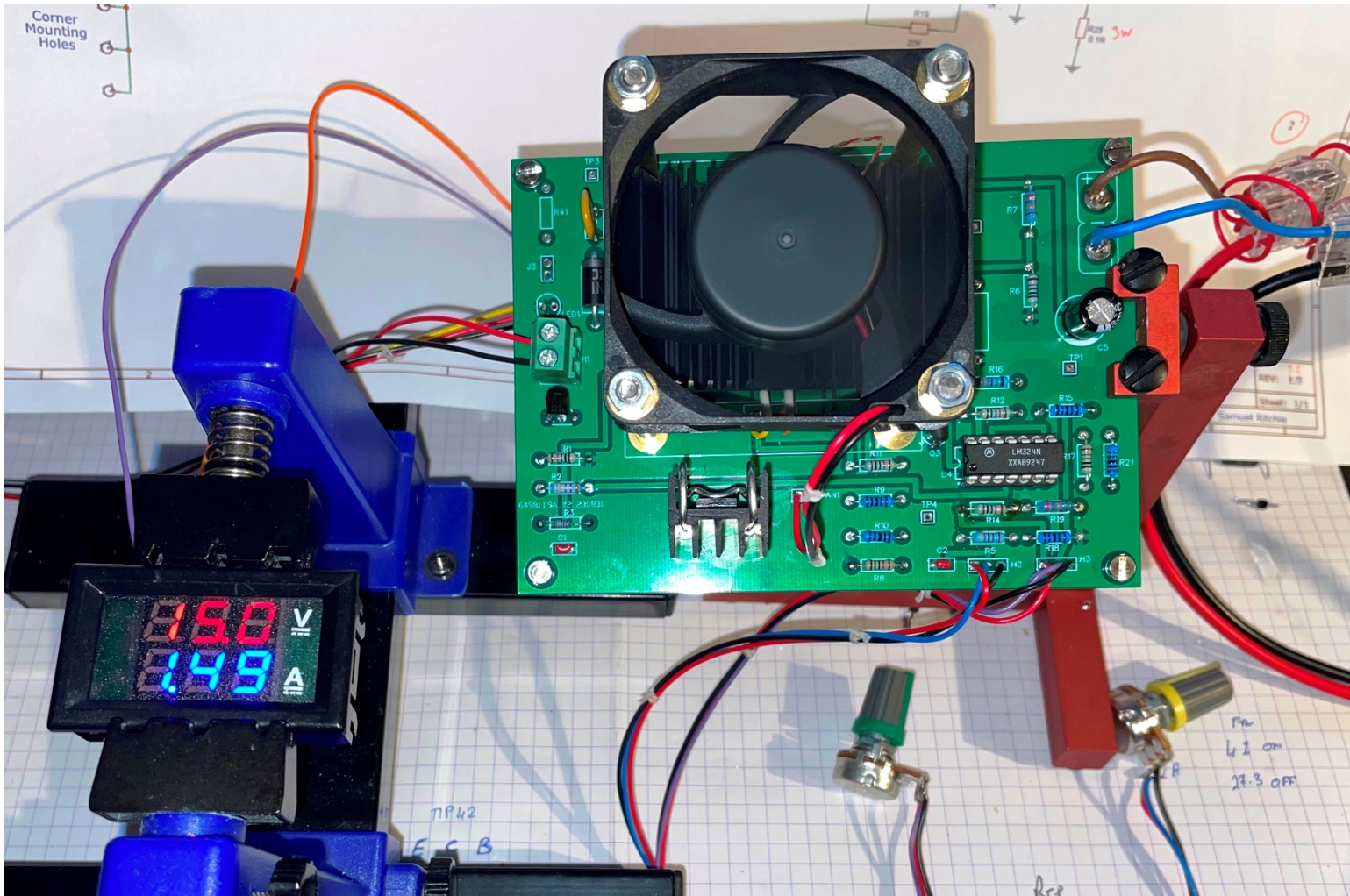
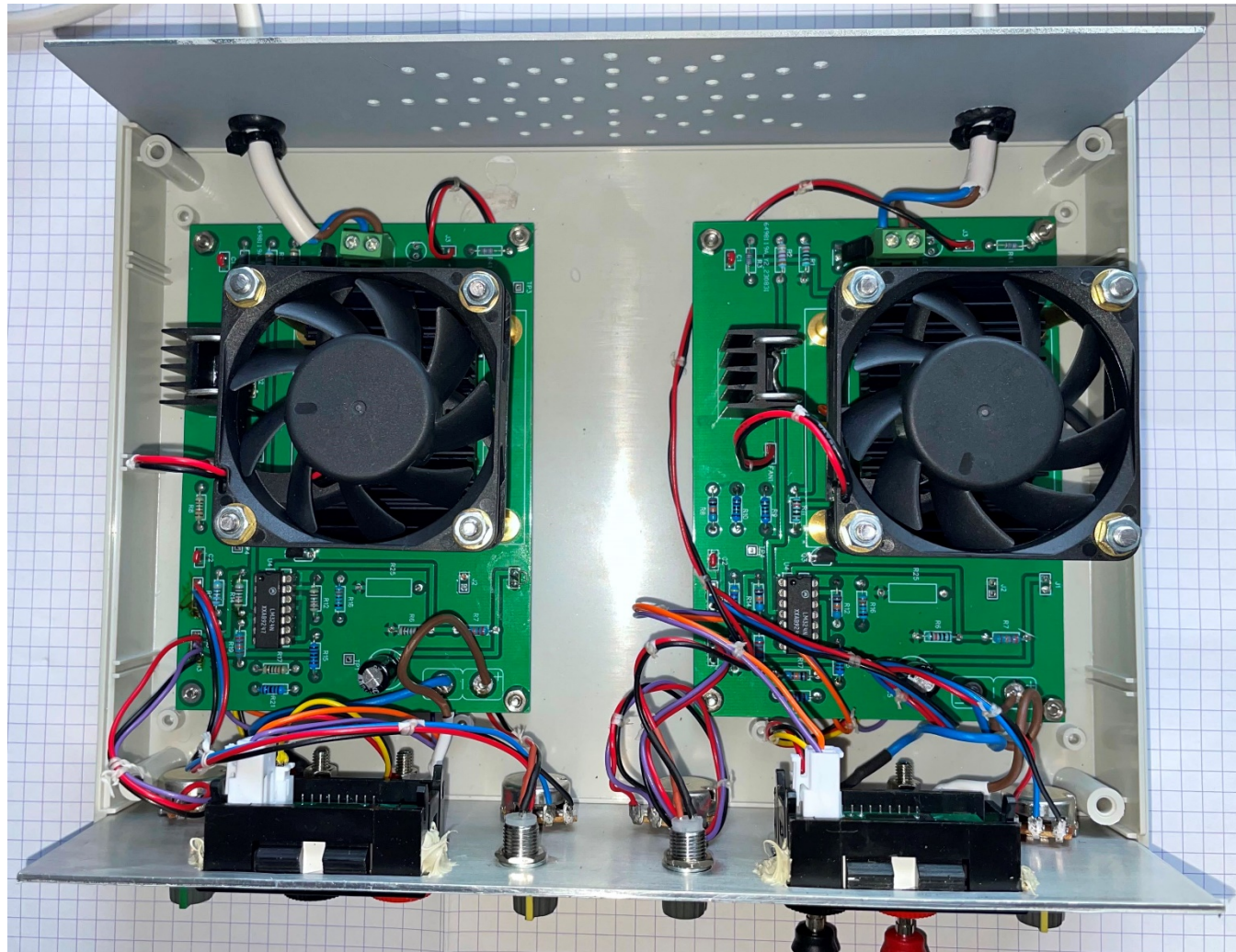


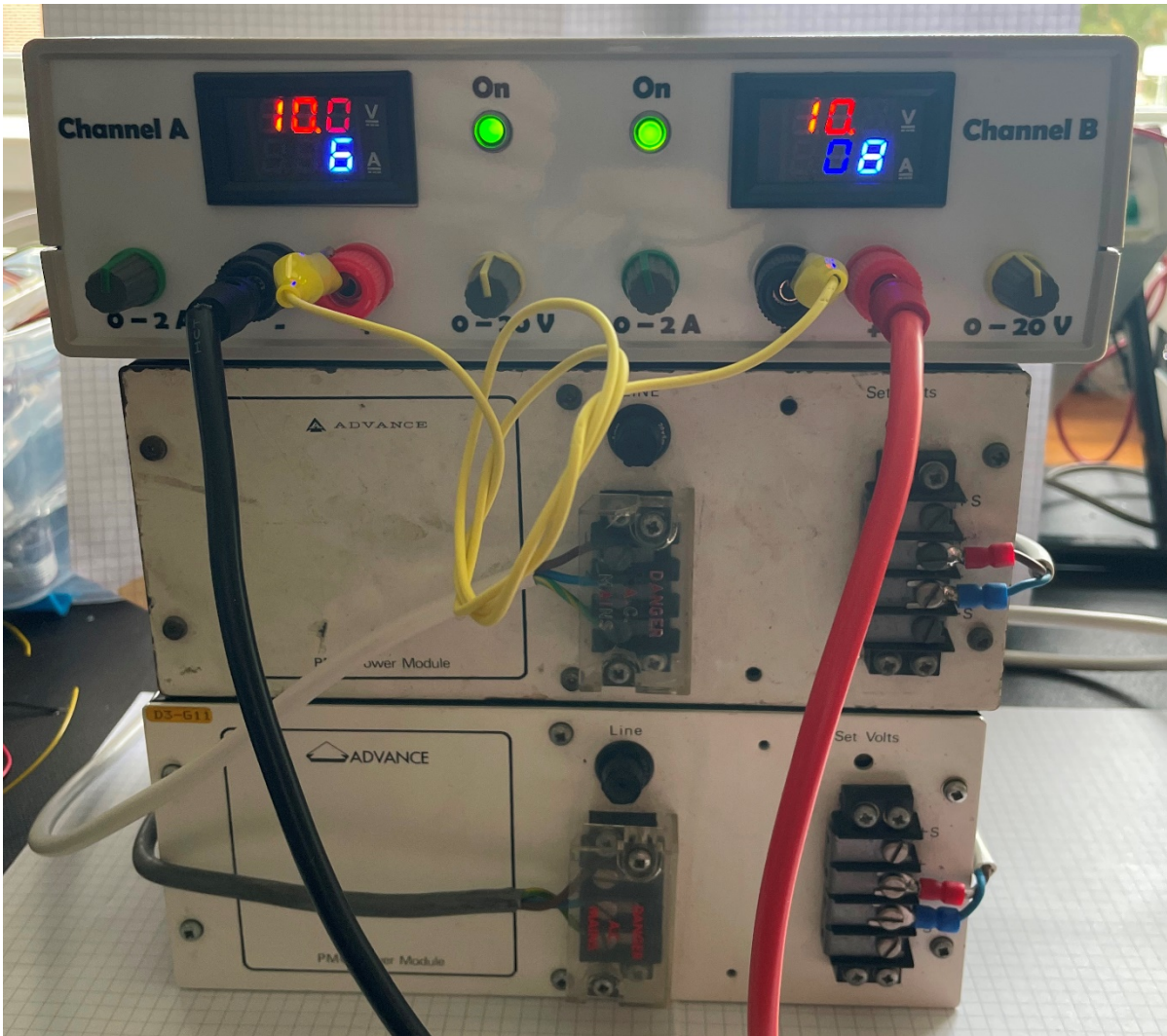
Figure 8. Dual voltmeter / ammeter connected



**Figure 9. Two power supplies in an enclosure.**



**Figure 10. View of front and back panels**



**Figure 11. Showing the two fixed supplies and the variable supply connected for split power supply operation.**

*Ends .....*